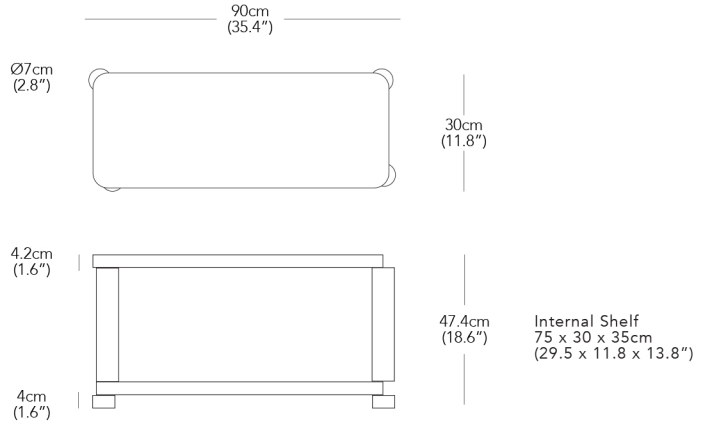


Resident

Offset Shelf Small 1-Tier



DESIGNER
Philippe Malouin / 2021

PRODUCT DESCRIPTION
Shelving Unit

PRODUCT CODE
OFS002N - Offset Shelf Small 1 Tier, Natural
OFS002U - Offset Shelf Small 1 Tier, Umber

* Components drawn in relative scale. Refer to CAD files for accurate drawings.

MATERIALS
Solid Oak

COLOUR OPTIONS
Natural Oak
Umber Stained Oak

PRODUCT ENVIRONMENT
Indoor Use Only

APPROPRIATE FOR HARD CONTRACT USE
Yes

WARRANTY
3 Years

PACKAGED DIMENSIONS
2 Boxes Per Shelf

W	D	H	Box 1 (Shelves)
106	x	40 x 21cm	0.09 m ³
41.7	x	15.7 x 8.3"	3.1 ft ³
W	D	H	Box 2 (Uprights)
48.5	x	40 x 25cm	0.05 m ³
19.1	x	15.7 x 9.8"	1.7 ft ³

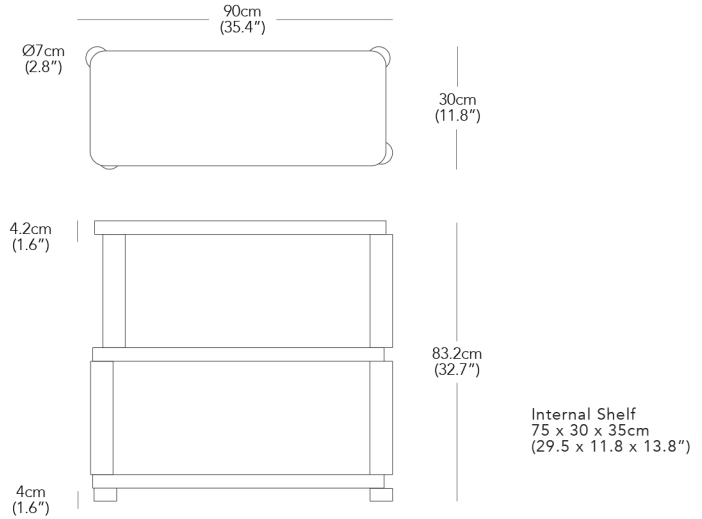
PACKAGED WEIGHT	Combined
Box 1 (Shelves)	
18 kg	22.5 kg
39.7 lbs	49.6 lbs
Box 2 (Uprights)	
4.5 kg	
9.9 lbs	

PRODUCT WEIGHT
20 kg
44.1 lbs

COUNTRY OF ORIGIN
Lithuania

Resident

Offset Shelf Small 2-Tier



DESIGNER
Philippe Malouin / 2021

PRODUCT DESCRIPTION
Shelving Unit

PRODUCT CODE
OFS003N - Offset Shelf Small 2 Tier, Natural
OFS003U - Offset Shelf Small 2 Tier, Umber

* Components drawn in relative scale. Refer to CAD files for accurate drawings.

MATERIALS
Solid Oak

COLOUR OPTIONS
Natural Oak
Umber Stained Oak

PRODUCT ENVIRONMENT
Indoor Use Only

APPROPRIATE FOR HARD CONTRACT USE
Yes

WARRANTY
3 Years

PACKAGED DIMENSIONS
2 Boxes Per Shelf

W	D	H	Box 1 (Shelves)
100	x	40 x 12cm	0.05 m ³
39.4	x	15.7 x 4.7"	1.7 ft ³
W	D	H	Box 2 (Uprights)
53	x	75 x 16cm	0.06 m ³
20.9	x	29.5 x 6.3"	2.2 ft ³

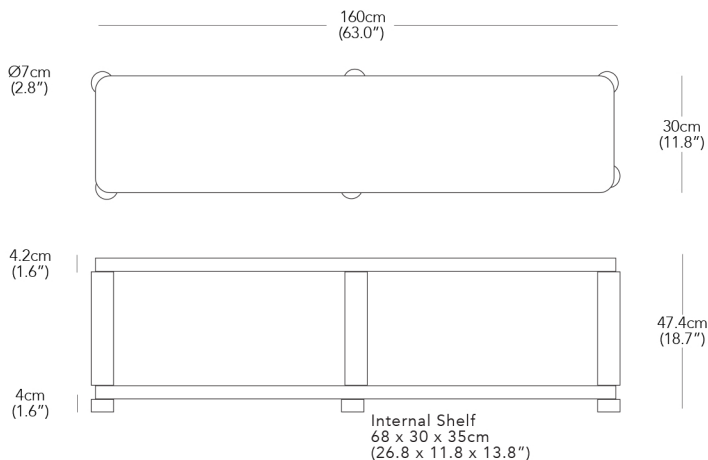
PACKAGED WEIGHT	Combined
Box 1 (Shelves)	35 kg
26 kg	77.2 lbs
57.3 lbs	
Box 2 (Uprights)	
9 kg	
19.8 lbs	

PRODUCT WEIGHT
33.1 kg
73.0 lbs

COUNTRY OF ORIGIN
Lithuania

Resident

Offset Shelf Large 1-Tier



* Components drawn in relative scale. Refer to CAD files for accurate drawings.

DESIGNER
Philippe Malouin / 2021

PRODUCT DESCRIPTION
Shelving Unit

PRODUCT CODE
OFS004N - Offset Shelf Large 1 Tier, Natural
OFS004U - Offset Shelf Large 1 Tier, Umber

MATERIALS
Solid Oak

COLOUR OPTIONS
Natural Oak
Umber Stained Oak

PRODUCT ENVIRONMENT
Indoor Use Only

APPROPRIATE FOR HARD CONTRACT USE
Yes

WARRANTY
3 Years

PACKAGED DIMENSIONS
2 Boxes Per Shelf

W	D	H	Box 1 (Shelves)
200	x	40 x 12cm	0.1 m ³
78.7	x	15.7 x 4.7"	3.4 ft ³
W	D	H	Box 2 (Uprights)
53	x	75 x 16cm	0.06 m ³
20.9	x	29.5 x 6.3"	2.2 ft ³

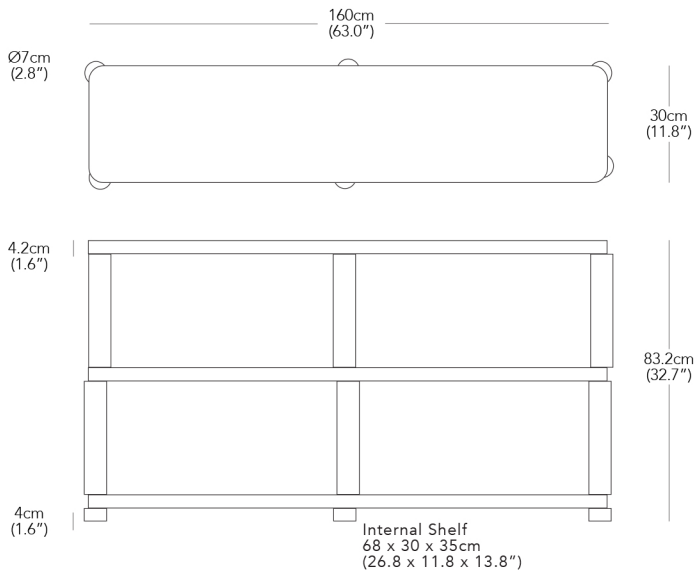
PACKAGED WEIGHT	Combined
Box 1 (Shelves)	37 kg
30 kg	81.5 lbs
66.1 lbs	
Box 2 (Uprights)	
7 kg	
15.4 lbs	

PRODUCT WEIGHT
34 kg
75.0 lbs

COUNTRY OF ORIGIN
Lithuania

Resident

Offset Shelf Large 2-Tier



DESIGNER
Philippe Malouin / 2021

PRODUCT DESCRIPTION
Shelving Unit

PRODUCT CODE
OFS005N - Offset Shelf Large 2 Tier, Natural
OFS005U - Offset Shelf Large 2 Tier, Umber

* Components drawn in relative scale. Refer to CAD files for accurate drawings.

MATERIALS
Solid Oak

COLOUR OPTIONS
Natural Oak
Umber Stained Oak

PRODUCT ENVIRONMENT
Indoor Use Only

APPROPRIATE FOR HARD CONTRACT USE
Yes

WARRANTY
3 Years

PACKAGED DIMENSIONS
2 Boxes Per Shelf

W	D	H	Box 1 (Shelves)
176	x	38.5	0.14 m ³
69.3	x	15.2	5.0 ft ³
W	D	H	Box 2 (Uprights)
50	x	40	0.07 m ³
19.7	x	15.7	2.4 ft ³

PACKAGED WEIGHT	
Box 1 (Shelves)	45.5 kg
Box 2 (Uprights)	13.1 kg
Combined	58.6 kg
	100.3 lbs
	28.9 lbs
	129.2 lbs

PRODUCT WEIGHT
54.7 kg
120.6 lbs

COUNTRY OF ORIGIN
Lithuania